



smartbone®

ORTHO

CATALOGUE



 **swiss made**



smartbone[®]
ORTHO

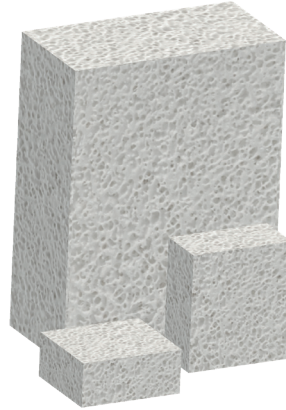
SAME technology...

...**DIFFERENT** application!

TRADITIONAL SHAPES - MOST USED

Block

ITEM	SIZE
SBO101010	10x10x10 mm
SBO101020	10x10x20 mm
SBO102020	10x20x20 mm
SBO141208	14x12x8 mm
SBO141224	14x12x24 mm
SBO153020	15x30x20 mm
SBO153060	15x30x60 mm



Wedge

ITEM	SIZE
SBO352510	35x25x10 mm
SBO402514	40x25x14 mm



Rod

ITEM	SIZE
SBO350403	35x4x3 mm



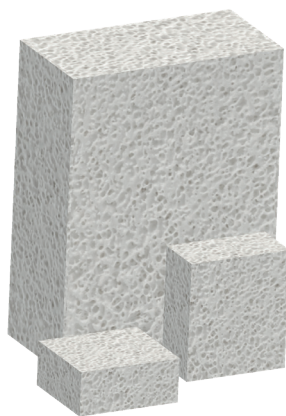
Granules

ITEM	SIZE	Q.TY
SBOG20405	2-4 mm	5 cc
SBOG20410	2-4 mm	10 cc
SBOG20420	2-4 mm	20 cc
SBOG20430	2-4 mm	30 cc


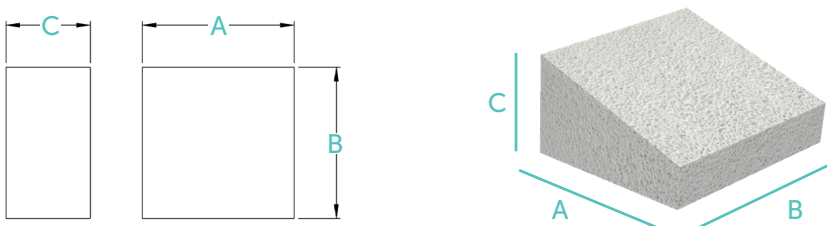
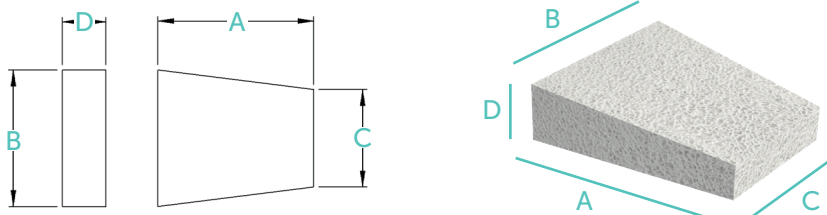


TRADITIONAL AND SPECIAL SHAPES ON REQUEST


Block

ITEM	SIZE	
SBO070707	7x7x7 mm	
SBO101005	10x10x5 mm	
SBO141206	14x12x6 mm	
SBO141207	14x12x7 mm	
SBO141209	14x12x9 mm	
SBO141210	14x12x10 mm	
SBO141212	14x12x12 mm	
SBO141216	14x12x16 mm	
SBO141220	14x12x20 mm	
SBO152325	15x23x25 mm	
SBO153030	15x30x30 mm	
SBO153040	15x30x40 mm	
SBO153050	15x30x50 mm	
SBO161406	16x14x6 mm	
SBO161407	16x14x7 mm	
SBO161408	16x14x8 mm	
SBO161409	16x14x9 mm	

Wedge & Special Wedge

ITEM	SIZE (AxBxC)	
SBO352205 SBO352208 SBO352512 SBO402512	35x22x5 mm 35x22x8 mm 35x25x12 mm 40x25x12 mm	
SBO181808 SBO181810 SBO181812 SBO222208 SBO222210 SBO222212	18x18x8 mm 18x18x10 mm 18x18x12 mm 22x22x08 mm 22x22x10 mm 22x22x12 mm	
SBO161045 SBO161055 SBO161065 SBO201045 SBO201055 SBO201065	16x14x10x4.5 mm 16x14x10x5.5 mm 16x14x10x6.5 mm 20x14x10x4.5 mm 20x14x10x5.5 mm 20x14x10x6.5 mm	


Plate

ITEM	SIZE	
SBO041010	4x10x10 mm	
SBO031010	3x10x10 mm	
SBO032515	3x25x15 mm	
SBO201502	20x15x2 mm	

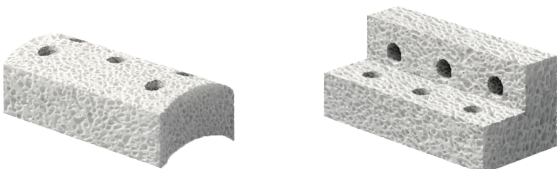



Cylinder

ITEM	SIZE	
SBO112000	ø11xh20 mm	
SBO122000	ø12xh20 mm	
SBO142000	ø14xh20 mm	
SBO162000	ø16xh20 mm	
SBO111000	ø11xh10 mm	
SBO141400	ø14xh14 mm	
SBO083000	ø8xh30 mm	
SBO083500	ø8xh35 mm	
SBO103000	ø10xh30 mm	
SBO103500	ø10xh35 mm	
SBO123000	ø12xh30 mm	
SBO123500	ø12xh35 mm	

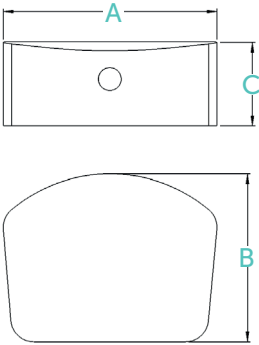
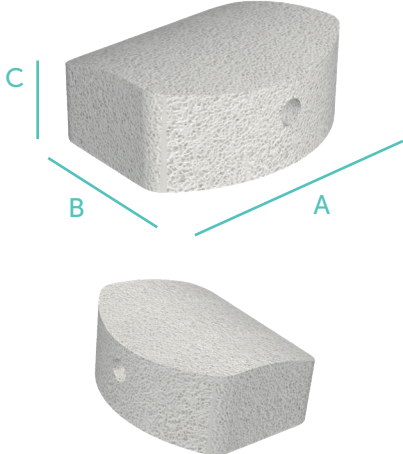
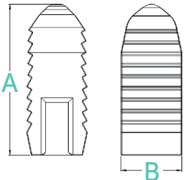

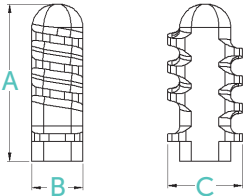

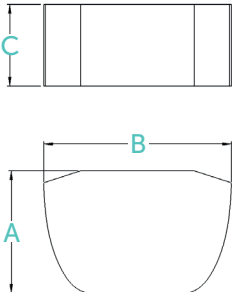
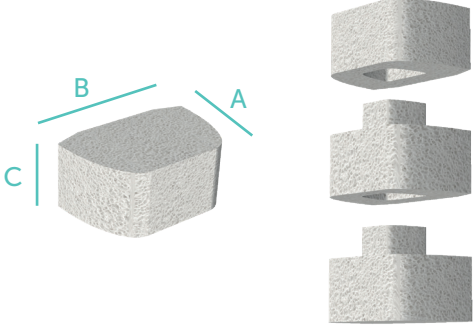
Special Cylinder

ITEM	SIZE	
SBO65400M	ø6.5xh40 mm M	
SBO65400F	ø6.5xh40 mm F	

Special Shape

ITEM	SIZE	
SBO150604 SBO150735 SBO081201 SBO150706 SBO157504	15x6x4 mm 15x7x3.5 mm ø8xh12 mm 15x7x6 mm 15x7.5x4 mm	
ITEM	SIZE	
SBO082505 SBO083005 SBO083505 SBO092505 SBO093005 SBO093505 SBO102505 SBO103005 SBO103505	ø8x25 mm 5° ø8x30 mm 5° ø8x35 mm 5° ø9x25 mm 5° ø9x30 mm 5° ø9x35 mm 5° ø10x25 mm 5° ø10x30 mm 5° ø10x35 mm 5°	
ITEM	SIZE	
SBO605425	60x54 mm 2.5°	
ITEM	SIZE	
SBO202727 SBO202222	20x2.7x2.7 mm 20x2.2x2.2 mm	

Special Shape Spinal

ITEM	SIZE (AxBxC)		
SBO14114C SBO14115C SBO14116C SBO14117C SBO14118C SBO14119C SBO16144C SBO16145C SBO16146C SBO16147C SBO18164C SBO18165C SBO18166C SBO18167C	14x11x4 mm 14x11x5 mm 14x11x6 mm 14x11x7 mm 14x11x8 mm 14x11x9 mm 16x14x4 mm 16x14x5 mm 16x14x6 mm 16x14x7 mm 18x16x4 mm 18x16x5 mm 18x16x6 mm 18x16x7 mm		
ITEM	SIZE (AxB)		
SBO200800 SBO200700	20x8 mm 0° 20x7 mm 0°		
ITEM	SIZE (AxBxC)		
SBO206595 SBO156595 SBO106595	20x6.5x9.5 mm 15x6.5x9.5 mm 10x6.5x9.5 mm		
ITEM	SIZE (AxBxC)		
SCT152310 SCM152310 SCB152310 SLT452310 SLM452310 SLB452310 STT352310 STM352310 STB352310	C Top 15 x 23 x 10 C Middle 15 x 23 x 10 C Bottom 15 x 23 x 10 L Top 45 x 23 x 10 L Middle 45 x 23 x 10 L Bottom 45 x 23 x 10 T Top 35 x 23 x 10 T Middle 35 x 23 x 10 T Bottom 35 x 23 x 10		



**Industrie Biomediche
Insubri SA**

Via Cantonale, 67
Mezzovico-Vira
CH-6805
Switzerland
Ph. +41 91 93 06 640



**CE
2797**

www.ibi-sa.com
info@ibi-sa.com

CAUTION: The law restricts the sales of these devices made by, or on the order of, a dentist or physician.

This catalogue is for healthcare professionals only, therefore the distribution to the general public is forbidden.